

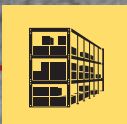


**STRONG PARTNERS.
TOUGH TRUCKS.™**



P1.6-2.2 PALLET TRUCKS

WWW.HYSTER.EU



STRONG AND INTELLIGENT

Volume is key in any warehousing or logistics operation. Hyster can help you boost throughput in such operations with the P1.6-2.2 pedestrian pallet truck. Designed to be tough, the pedestrian pallet truck series is also intelligent.

Its exceptional manoeuvrability, ergonomics and performance stem from innovative design and engineering. With a vast array of option combinations and standard features, the P1.6-2.2 ensures that operators are moving loads as safely, quickly and efficiently as possible at every stage of pallet handling.



WORLD-CLASS DEPENDABILITY

- Durable Drive Frame Casting
- Heavy Duty Steel Drive Frame Weldment
- Linkage Torsion Bar
- Tested and Proven
- 24 months/4000 hours standard warranty

PROVEN COST SAVINGS

- Industry Leading Warranty
- Heavy Duty Torsion Bar
- Thickest Bronze Bushings Available
- Steel Drive Frame

SERVICEABILITY

- AC Technology
- Long Service Intervals
- Easy to Remove Cover
- Pins and Bushings Easily Serviced

OPERATOR-FRIENDLY COMFORT

- Largest Tiller Handle Operating Range
- Exceptional Visibility
- Intuitive Control Handle Design
- Mid-Mounted Handle

EFFICIENT PRODUCTIVITY

- Hyster Intelligent Lift™
- Hyster Intelligent Slow Down™
- Creep Speed Functionality
- Enhanced Manoeuvrability



Hyster® P1.6-2.2 pallet trucks are designed and manufactured to be among the most dependable trucks in the industry today. Because every part is designed for strength, dependability and long wear, these trucks help operators to keep on delivering and get the job done in hard working warehouse environments.



BACKBONE OF STRENGTH AND DURABILITY

By designing the frame of the truck to better engage and support the pallet, Hyster increased the stability of the truck with a load. Hyster has integrated drive unit mounting, linkage mounting, and hydraulic cylinder mounting, improving durability and reliability for the life of the truck.

The P1.6-2.2 combines a heavy duty steel drive frame with a highly engineered drive unit casting, making this one of the heaviest drive unit frames in the industry. Optimally placed as the backbone of the truck, the two create the strongest drive end in its category. The heavy duty casting replaces fabricated components for increased strength and durability, and concentrates all of the forces of the truck to an intelligent, highly engineered component.

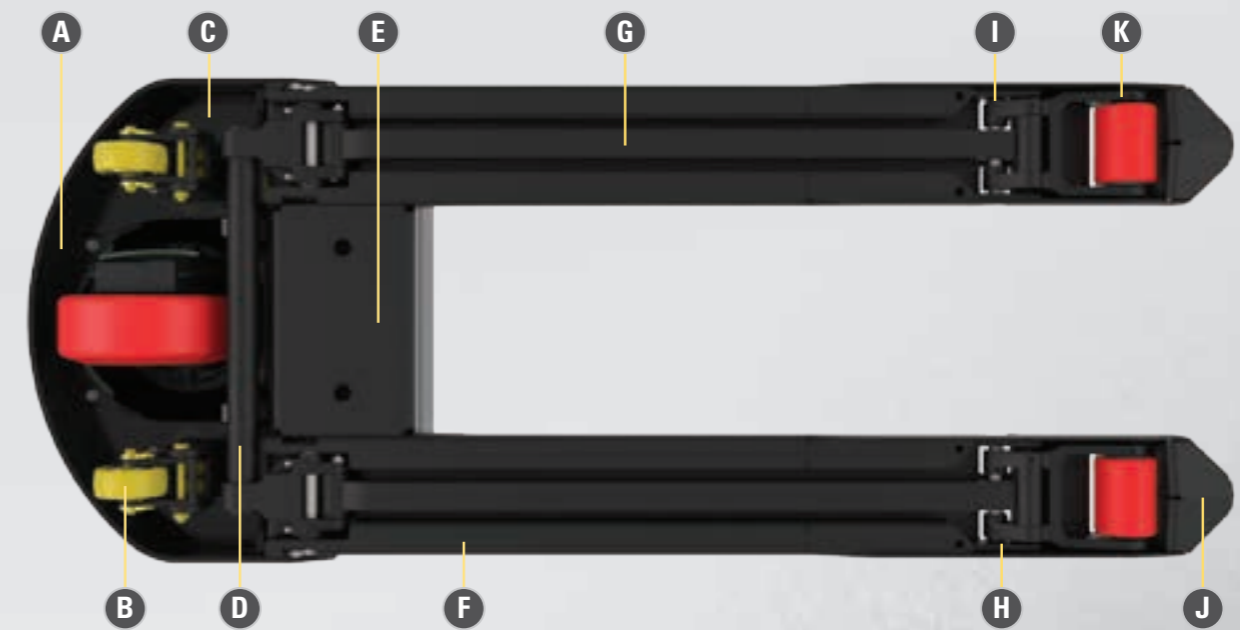
PROTECTED COMPONENTS

- The cover of the P1.6-2.2 is comprised of a highly durable, engineered thermoplastic elastomer. It is flexible, resistant to chipping, and gives full protection of components, unlike metal covers of some competitors.
- The optional on-board charger is enclosed within the drive frame, protected from the harsh elements and washing down.
- The motor remains stationary during steering, protecting power cables from wear and strain.
- Enclosed, vertical mounted AC drive motor is easily accessed and is protected from splashes and debris.

TESTED AND PROVEN APPLICATION RESULTS

Each component of the P1.6-2.2 pallet truck has been engineered and tested to provide the highest level of dependability. Hyster has endurance tested many different aspects of the truck design to ensure the end-product is among the strongest, most durable trucks on the market.

<p>43 PALLETS PER HOUR</p>	<p>7% LESS ENERGY USAGE</p>	<p>11% MORE PRODUCTIVE UNLOADING TRAILERS*</p> <p><small>*with standard features</small></p>
<p>2x THICKER BUSHINGS</p>	<p>450 MILLION KG LIFTED WITHOUT FAILURE</p>	<p>200,000+ FULL CAPACITY CYCLES WITHOUT FAILURE</p>



- A** Robust 10mm welded bumper components are mounted to the back plate.
- B** Casters load wheels reduce product damage and aid in extra stability when required for certain applications.
- C** Heavy duty drive frame increases stability and dependability.
- D** Heavy duty torsion bar and casted yokes helps stability and equalised loading.
- E** Integrated fork torsion box for increased fork stiffness and torsional stability.
- F** Heavy duty thick boxed-in C-channel fork body.
- G** Industry's strongest pull rod design.
- H** Strong, hardened flagged linkage pins at all connections.
- I** "X" groove bushings and lubrication points at all linkage connections.
- J** Pallet entry/exit with optional blades available. Casted load wheel links with multiple load wheel options.
- K** Casted load wheel links with multiple load wheel options.

EFFICIENCY EQUALS PRODUCTIVITY

With its compact footprint and ability to transport pallets in areas where space is limited, the P1.6-2.2 means the operator will have confidence operating in congested situations. It's a simple fact of your business that you need to move your product quickly and efficiently with minimum downtime. The P1.6-2.2 helps you do just that with several exclusive productivity-enhancing features.



Hyster Intelligent Lift™ increases operator productivity throughout the shift by eliminating repetitive “wait time” while the pallets are being raised.

HYSTER INTELLIGENT LIFT™

Time is valuable in any warehouse operation. The Hyster Intelligent Lift™ is an exclusive feature, available as an option, to help optimise the productivity of the operator.

Hyster Intelligent Lift™ enables the operator to start transporting the pallet before the unit is at full lift. The P1.6-2.2 equipped with this option will automatically lift the pallet to maximum fork height without having to continually hold the lift button.

As a result of the simultaneous action of lifting and travelling, Hyster Intelligent Lift™ can reduce cycle times by up to 25%, increasing productivity.

CREEP SPEED FUNCTIONALITY

The unit can be engaged in Creep Speed Function at any position in the run zone.

When the handle is in the run zone, and the Creep Speed Functionality is selected, the P1.6-2.2 latches into Creep Speed Function which slows the speed and acceleration of the truck, giving the operator greater confidence in congested applications.

When the handle is in the upper brake zone the operator can press and hold the Creep Speed button to manoeuvre the truck. This minimises the truck profile, improving manoeuvrability inside trailers. Creep Speed Functionality is especially effective when the application requires loads to be turned around, particularly in tight spaces.

DESIGNED FOR PERFORMANCE

Hyster has shortened the fork tip length of the P1.6-2.2 and designed a rounded profile rear frame plate to provide a tight right angle turn for easier right angle stacking, equal aisle placement, and improved manoeuvrability within a trailer. Fork tips feature a tapered fork nose and blunt ends to allow for repositioning of pallets and enhances pallet entry. The design is ideally suited for turning loads in tight spaces and allows the customer to put 10% more pallets on each truck, reducing per pallet transportation costs.

STABILITY IS KEY

A stable truck creates confidence in your operator. Hyster focused on several areas to ensure we would have one of the most stable trucks on the market. First we reinforced the frame to get increased torsional stiffness. We then implemented a heavy duty torsion bar and linkage, which all work together to reduce torsional twisting, making the P1.6-2.2 one of the most stable pallet trucks in the industry.

HYSTER INTELLIGENT SLOW DOWN™

To further ensure that every load remains stable, the Hyster® P1.6-2.2 truck features optional Hyster Intelligent Slow Down™ technology. This exclusive feature recognises when the truck is turning and intelligently reduces the truck's speed, assisting the operator through the corner. This enables the operator to manoeuvre through the warehouse with confidence, giving the P1.6-2.2 best-in-class stability.



Hyster Intelligent Slow Down™ Sensor automatically detects significant turns and adjusts truck speed accordingly.

▶ APPLICATION MATCHED PERFORMANCE

ADAPTABLE PERFORMANCE FOR ANY APPLICATION.

Tough applications come in all shapes and sizes. That's why Hyster offers factory settings that can be adjusted by your dealer to tailor the truck's performance and features to the application or conditions. Speed settings can be adapted and customers can choose from a wide array of options and accessories.

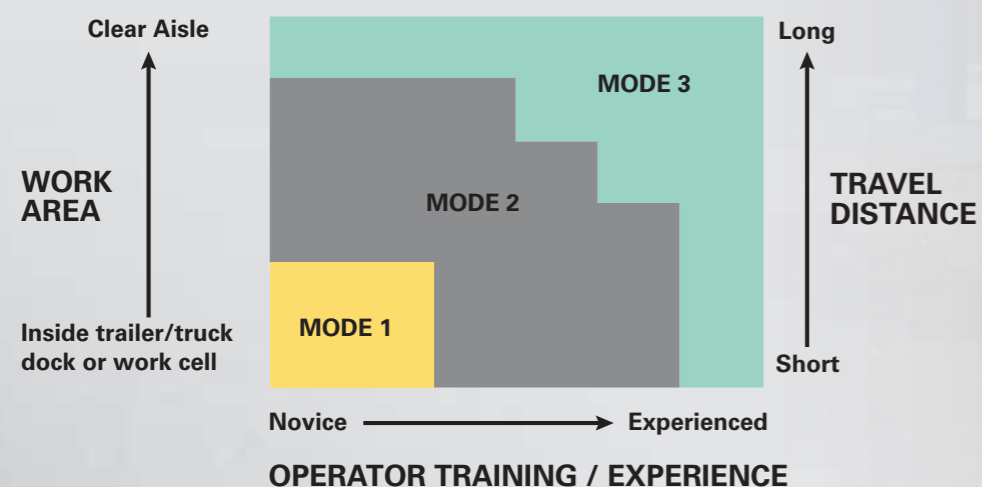
GUIDE FOR SELECTING PERFORMANCE DRIVE MODES

Because no two operators are exactly alike, we offer selectable performance modes for enhanced operator productivity.

Mode 1 – new operator, inside trailer, short distances, or for improved battery life

Mode 2 – operator with more experience, larger work area, medium runs

Mode 3 – experienced operator, large work area, longer travel distances



TOUGH ON THE OUTSIDE, INTELLIGENT ON THE INSIDE

The productivity of your operation is directly affected by the comfort of your operators. Hyster® trucks are always engineered to be operator friendly and these pallet trucks are no exception. From the mid-mounted, shortened handle to the vertically mounted drive motor assembly, our intelligently designed ergonomics make the P1.6-2.2 pallet truck easier and more comfortable to operate.



EXCEPTIONAL VISIBILITY

The operator interface with pallet load is very important for a pedestrian pallet truck. The P1.6-2.2 allows the operator to see the forks, place them, and enter and exit a pallet whether it is empty or loaded.

Through experienced engineering and design focused on the operator, the P1.6-2.2 has the best visibility in its class. Tests showed that the visibility offered by this design was well-suited for most operators. Superior visibility means you save time and increase productivity throughout your operation.

REDUCED OPERATOR EFFORT

- The tiller has a light hold down effort. Little exertion is needed by the operator to move the handle to the run zone and easily maintain its position there.
- The mid-mounted control handle placement has been designed to balance the constraints of steer effort, visibility and manoeuvrability.
- The large turntable bearing and standard polyurethane drive tyre reduces steering effort and operator fatigue. With less effort the operator can move pallets more efficiently over extended periods of time.

CONTROL HANDLE

The shortened, mid-mounted handle improves both visibility and manoeuvrability for the operator. The Hyster P1.6-2.2 truck has the largest run zone in the industry, enabling the truck to be operated comfortably by a wide variety of operators.

The Creep Speed Function allows the truck to function with the handle in full upright position as well as in the run position for manoeuvring in tight spaces. The feature can be easily activated in all handle positions which allows the operator to turn the Creep Speed on and off while operating the truck.

The ergonomically designed handle helps to minimise wrist movement and provides a solid grip for additional control while operating the unit in all applications. Lift, lower, and horn push buttons are conveniently located at the operator's fingertips for easy access without having to release the hand from the grip. The butterfly throttle control provides a high level of controllability when selecting direction and speed, minimising operator fatigue.



Largest run zone in the industry allows for comfortable operation.



Ergonomically designed control handle.



Optional lateral battery extraction system available on P1.8-2.2 models

➤ LOW COST OF OWNERSHIP

Hyster has focused on building a truck that can stand up to the challenges of the most demanding operations. When your application demands a heavy duty truck, you want to be absolutely certain you have the equipment that's up to the task. That's why we built the Hyster® P1.6-2.2 pallet truck to be one of the toughest, most intelligent and most reliable in the industry—backed by an industry leading warranty.

DESIGNED AND BUILT TO SAVE YOU MONEY

- Heavy duty torsion bar ensures a more uniform loading of pins and linkage rods reducing wear and tear, increasing durability and reliability, and extending life.
- The linkage rod is comprised of a uniform square bar with welded ends for maximum strength and low maintenance.
- Bushings are the thickest bronze bushings available and provide the most contact area, resulting in improved distribution of force and increased service life. The proven "X" groove design allows for full spread of lubrication throughout bushing, minimising wear.
- Steel drive frame enhances stability and durability, decreasing service costs and damage to loads.
- For applications where even more stability is needed, optional casters have been reinforced with heavy duty casting. Coil springs have been replaced with poly block which is more durable and resistant to corrosion, reducing cost and service requirements.
- Large, maintenance-free turntable steer bearings distribute and handle driving and steering forces better than small taper bearings, lowering cost of ownership.
- AC traction motor is maintenance-free and external speed sensor is easy to access, reducing cost of maintenance.
- 500 hour service intervals and 2 year standard warranty provision contribute to Low Cost of Ownership



Even the toughest trucks need to be properly maintained, so when it comes to servicing the P1.6-2.2 pallet truck, excellent accessibility ensures the job can be done quickly and efficiently.

The easy-to- remove cover, provides convenient access to main components. Lube fittings at all major linkage points are highly accessible to ensure easy maintenance and long service life. Flag pins throughout the linkage system enable pins and bushings to be easily serviced.

When equipped with an optional on-board charger, the P1.6-2.2 pallet truck features a unique charge port, conveniently mounted to the front of the truck for easy access. The charge port removes the need for the operator to go into the battery compartment.



BRUSHLESS AC TECHNOLOGY

- The P1.6-2.2 incorporates an AC transistorised traction controller
- AC technology means no brushes to service, no wear items.
- Requires no periodic maintenance.
- Eliminates scheduled downtime and the cost for parts and service.
- Eliminates the service requirements created by brush wear and dust.



STRONG PARTNERS. TOUGH TRUCKS.™

FOR DEMANDING OPERATIONS, EVERYWHERE.

Hyster supplies a complete range of warehouse equipment, IC and electric counterbalanced trucks, container handlers and reach stackers. Hyster is committed to being much more than a lift truck supplier.

Our aim is to offer a complete partnership capable of responding to the full spectrum of material handling issues: Whether you need professional consultancy on your fleet management, fully qualified service support, or reliable parts supply, you can depend on Hyster.

Our network of highly trained dealers provides expert, responsive local support. They can offer cost-effective finance packages and introduce effectively managed maintenance programmes to ensure that you get the best possible value. Our business is dealing with your material handling needs so you can focus on the success of your business today and in the future.



HYSTER EUROPE

Centennial House, Frimley Business Park, Frimley, Surrey, GU16 7SG, England.

Tel: +44 (0) 1276 538500



www.hyster.eu



infoeurope@hyster.com



[/HysterEurope](https://www.facebook.com/HysterEurope)




[@HysterEurope](https://twitter.com/HysterEurope)




[/HysterEurope](https://www.youtube.com/HysterEurope)



HYSTER-YALE UK LIMITED trading as Hyster Europe. Registered Address: Centennial House, Building 4.5, Frimley Business Park, Frimley, Surrey, GU16 7SG, United Kingdom. Registered in England and Wales. Company Registration Number: 02636775.

HYSTER,  and FORTENS are registered trademarks in the European Union and certain other jurisdictions.

MONOTROL® is a registered trademark, and DURAMATCH and  are trademarks in the United States and in certain other jurisdictions.

Hyster products are subject to change without notice. Lift trucks illustrated may feature optional equipment.