

UT20RE

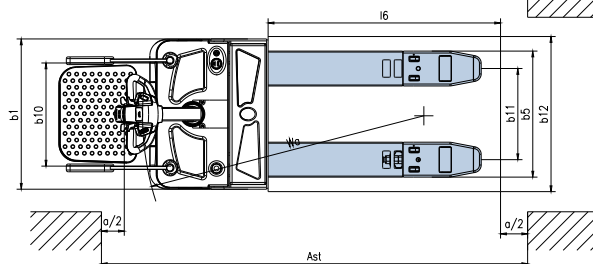
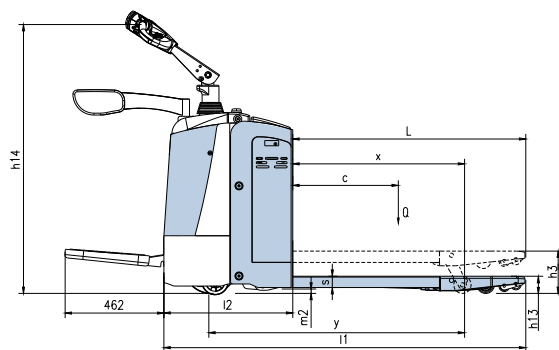
2000kg

Technical Specifications



Utility you can trust™

Truck Dimensions



UT20RE Specifications

Model	Measurement	UT20RE
Load capacity	Q (kg)	2000
Load center distance	c (mm)	600
Load distance, center of drive axle to fork	x (mm)	815/865/935
Fork height, lowered	h13 (mm)	82
Tire size, front	mm	250x70
Tire size, rear	mm	82x126 (98)
Additional wheels (dimensions)	mm	127x57
Wheels, number front rear (x=driven wheels)		1X+2/2 (4)
Max.lift height	h3 (mm)	202
Height of tiller in drive position min./max	h14 (mm)	1150/1430
Overall length	l1 (mm)	1710/1760/1830
Length to face of forks	l1 (mm)	610
Overall width	b1 (mm)	775
Fork dimensions	s/e/l (mm)	53x180x1100 (1150/1220)
Width overall forks	b5 (mm)	520/550/650/685
Aisle width for pallets 1000x1200 crossways	Ast (mm)	1910/1960/2030
Aisle width for pallets 800x1200 crossways	Ast (mm)	2010/2010/2030
Turning radius	Wa (mm)	1550/1600/1670
Travel speed, laden/unladen	Km/h	7/7.1
Battery voltage, nominal capacity K5	V/Ah	24/210
Battery weight	kg	196
Battery dimensions l/w/h	mm	750x170x534
Service weight (with battery)	kg	720



These trucks conform to current legislative requirements.
 Specification is subject to change without notice.
 Trucks shown with optional equipment.
 Publication part no. U00004-RE-SP Rev. 00 8/2019

© 2019. All rights reserved.
 UTILEV is a Registered Trademark.
 THE UTILITY LIFT TRUCK and UTILITY YOU CAN TRUST are trademarks in the United States and certain other jurisdictions.
 For more information, contact us by email: inquiries@utilev.com